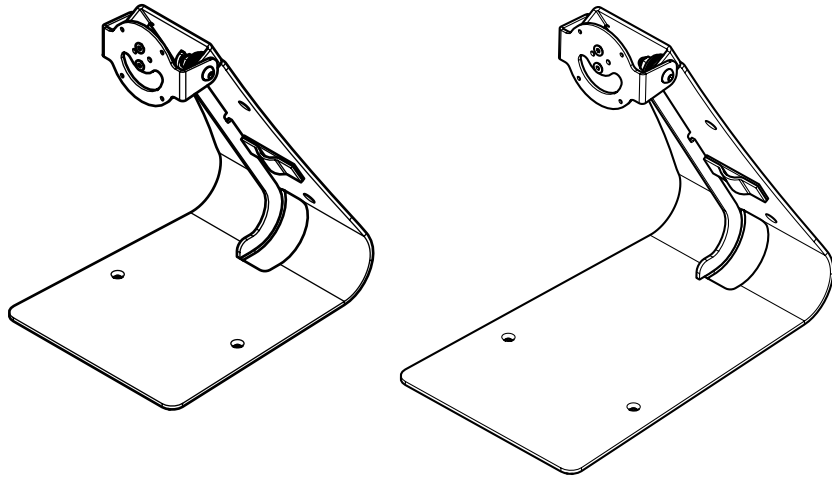



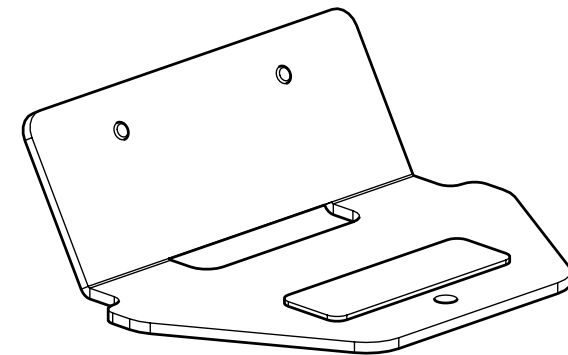
TabPrint Curve



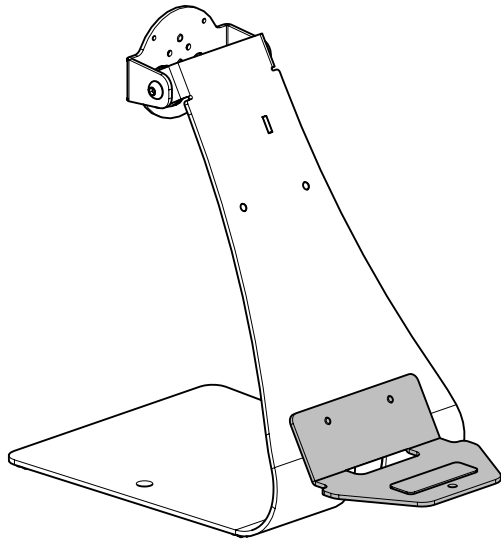
 To be purchased separately (SPTPC30X)!

SpacePole TabPrint Curve Customer Display Mount (SPTPC404)

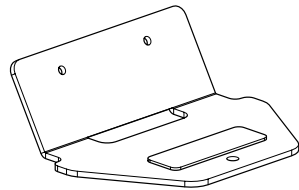
Star Micronics Customer Display SCD222U



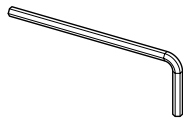
Mounting Overview



Box Content



x1

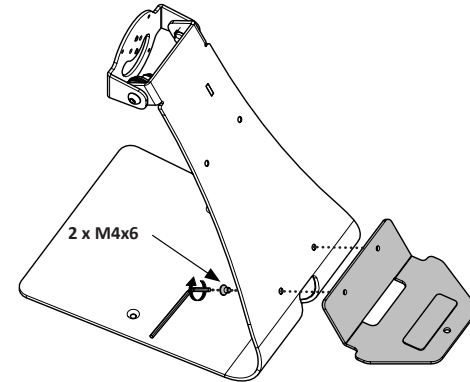


x1 (2.5mm)

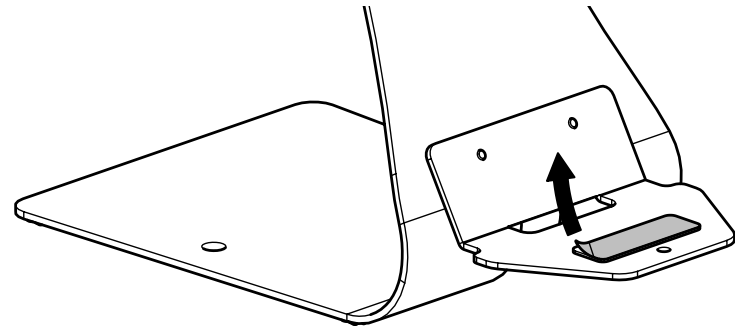


x2 (M4x6mm)

1 Install hardware mount



2 Remove 3M VHB protective film



3 Install hardware

Position hardware on 3M tape and press firmly for 30 seconds

